

## Centrifugal Heavy Duty Horizontal Slurry Pump / Sewage Sludge Pump 300 m<sup>3</sup>/h

Our Product Introduction

### Basic Information

- Place of Origin: Sichuan, China
- Brand Name: horizontal-slurrypump.com
- Certification: ISO9001
- Model Number: OEM



### Product Specification

- Mac Capacity: 3000m<sup>3</sup>/h
- Min Capacity: 4m<sup>3</sup>/h
- Min Head: 10m
- Max Head: 130 M
- Warranty: One Year
- NPSH: 0-3m
- Particle Size: Max 20mm
- Voltage: 220V/380V/440V,50Hz/60Hz
- Highlight: **horizontal centrifugal slurry pump**

for more products please visit us on [horizontal-slurrypump.com](http://horizontal-slurrypump.com)

## Product Description

### Horizontal Centrifugal Heavy Duty Slurry Pump , Sewage Sludge Pump 3000 m<sup>3</sup>/h Max Flow

#### Technical Parameter

Model	Clear Water Performance				
	Flow Q	Head	Rotating speed n	Shaft power (Pa)	Effectiveness $\eta$
	(m <sup>3</sup> /h)	m	r/min	kw	%
300ZJ(G)-I-A	704-2333	30.6-80	490-980	135-505	66-81
250ZJ(G)-I-A	405-1480	29.1-128.7	730-980	58.3-652	54-76.9
200ZJ(G)-I-A	256-976	28-133.7	730-980	60.3-448.1	50-79.6
150ZJ(G)-I-A	164-600	19.4-91.2	730-980	15.8-161.5	46.1-74.6
100ZJ(G)-I-A	86-360	16-100.2	980-1480	6.7-105.5	58.7-70.4
80ZJ(G)-I-A	60-242	15.7-109.8	980-1480	5.5-115.9	38.8-66.7
65ZJ(G)-I-A	28-69	11.2-34.8	960-1460	1.7-10.8	54.2-63.5
50ZJ(G)-I-A	31-111	34.3-110.7	970-1480	9.7-66.9	12.2-45.1
40ZJ(G)-I-A	9-23	9.1-44.6	1400-2900	0.3-4.7	33.2-52.4

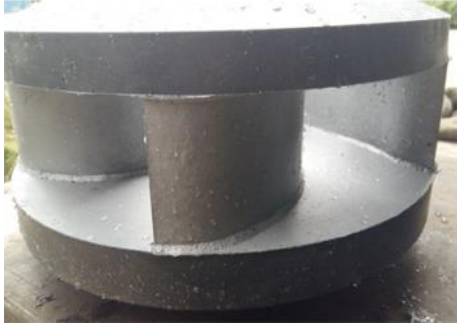
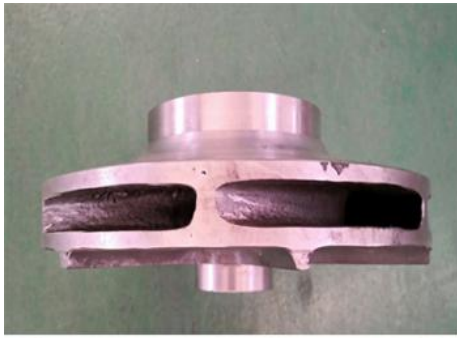
#### Product Description

Slurry pumps have been successful for more than a decade in the world's most challenging applications. In addition to all the benefits gained from the suction side seal system, the extremely thick elastomeric lining and heavy-duty impellers make this pump a longer life.

The types of transmission include direct connection, belt, hydraulic fluid power and frequency conversion. According to different connections like series connection and parallel connection, transmission type can be changed.

#### Feature

High efficient and anti-abrasive slurry pump
Full conversion between solid and liquid energy
Reduce corrosion of overflow part
Better cavitation
Bigger particles permitted and stable running
Kinds of wear resistant corrosive resistant materials available

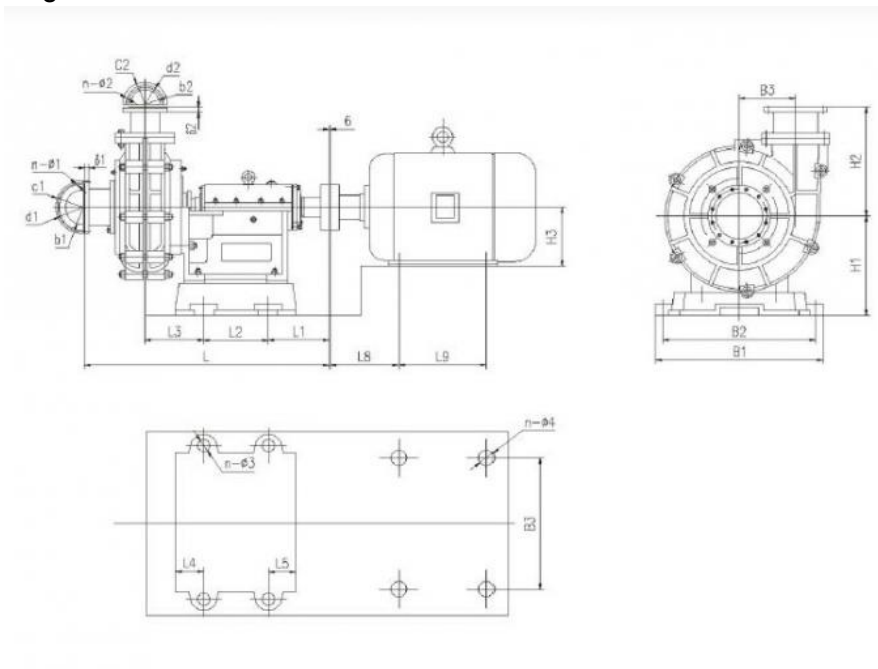


### Application Scope

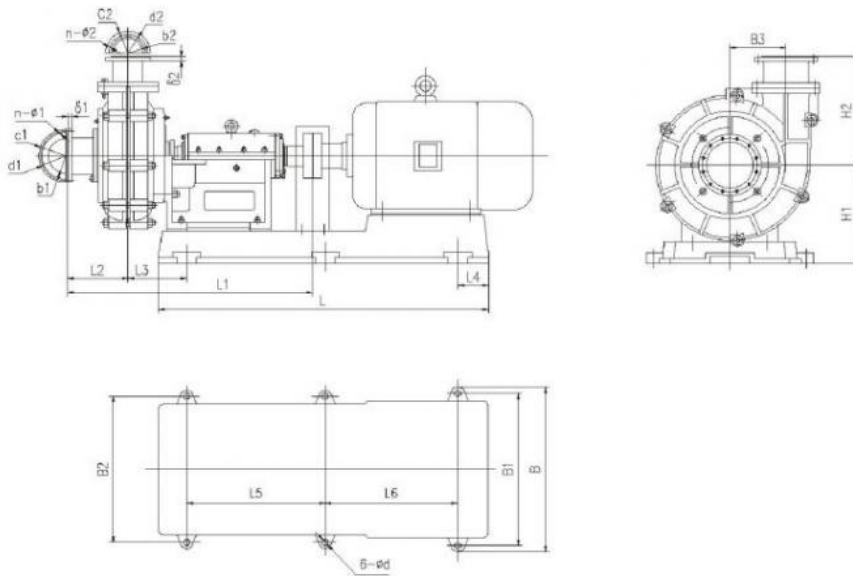
Transfer abrasive and corrosive slurry: maximum density of solid-liquid mixture: for mortar, 45%; for pulp, 60%  
 In mining, metallurgy, power, coal, chemicals, building materials and other industries

### Installation Dimension

#### Single base



#### Sharing Base



### Performance Range


Capacity: 4 ~ 3000 m<sup>3</sup>/h  
 Head: 10 ~ 130 m  
 Diameter: 200mm~470mm  
 Maximal Efficiency: 70%  
 NPSH: 0m~3m  
 Pump Weight: up to 3000kg  
 RPM: 1450 r/min  
 Impeller Type: closed/ half open


### Product Picture



 **ROMAN** Beijing Silk Road Enterprise Management Services Co.,LTD

 0086-17773109286

 jeffreyth@slurrypump.com

 horizontal-slurrypump.com

Floor 5, 2nd Building, Zhonglu Industrial Zone, Shenzhen City, Guangdong Province China (Mainland)